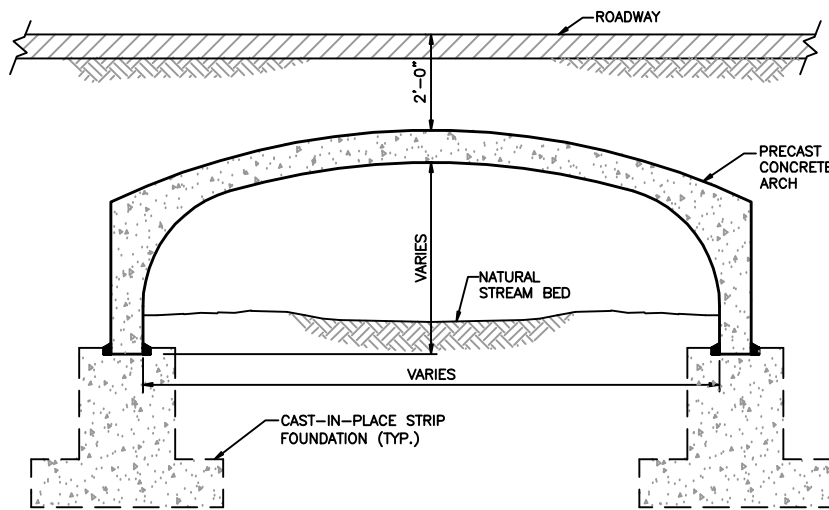


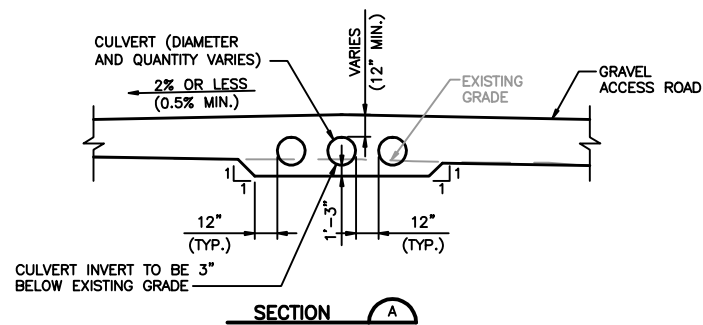
J:\1175473.00000\CAD\DRAWING\deliver 4-25-08\DET-1.dwg 1:1 4/25/08



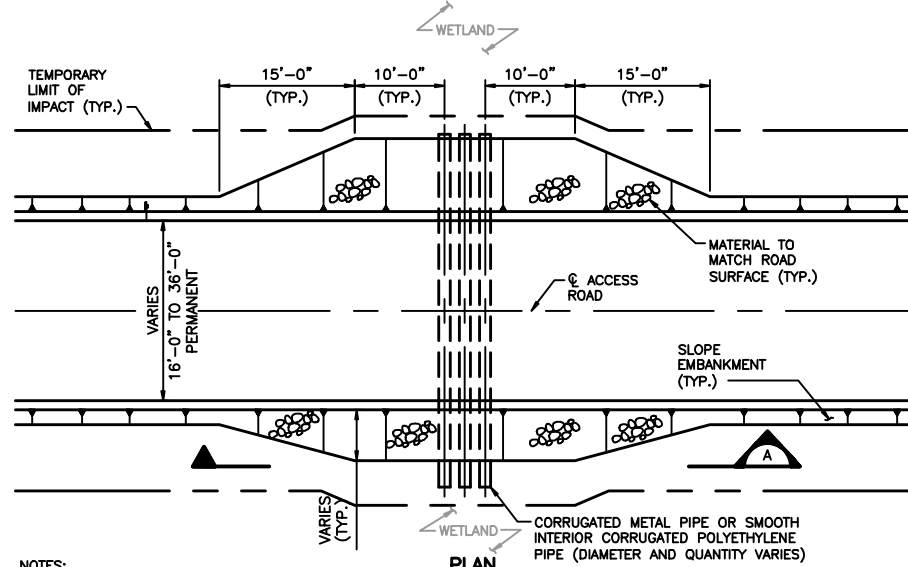
- NOTES:**
1. ARCH SIZE SHALL BE AS SHOWN ON PLANS.
 2. INSTALLATION OF ARCH SHALL BE AS REQUIRED BY THE MANUFACTURER.

BOTTOMLESS CULVERT AT STREAM CROSSING DETAIL

NOT TO SCALE



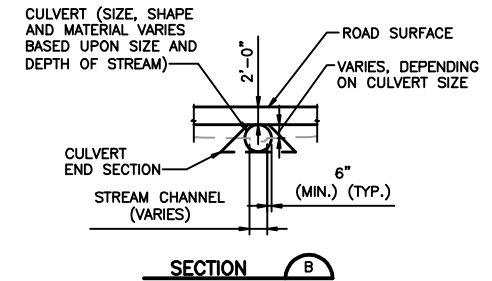
SECTION A



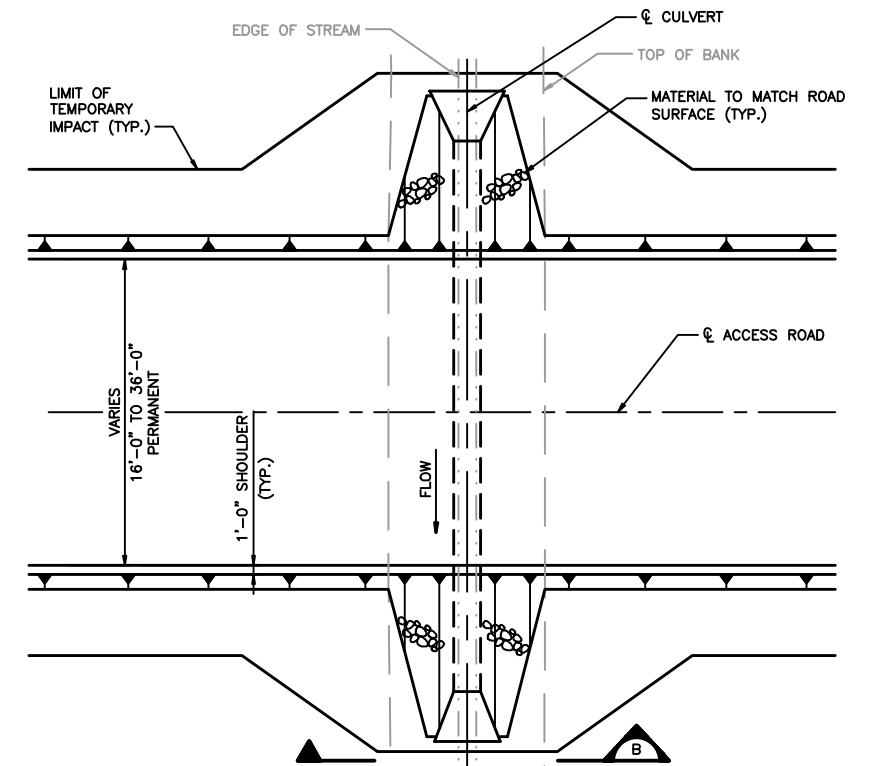
- NOTES:**
1. THIS DETAIL SHALL BE USED IN AREAS WHERE STREAMS DO NOT EXIST BUT PONDING OCCURS IN WET SEASONS.
 2. THE CULVERT PLACEMENT SHALL BE PLACED TO PROVIDE FREE FLOW OF PONDING WATER WITHIN A WETLAND FROM ONE SIDE OF THE ROAD TO ANOTHER.
 3. THE NUMBER AND SIZE OF CULVERTS SHALL BE DETERMINED BY THE CONTRACTOR AND REGULATORY AGENCY IN THE FIELD.

CULVERT AT WETLAND DETAIL

NOT TO SCALE



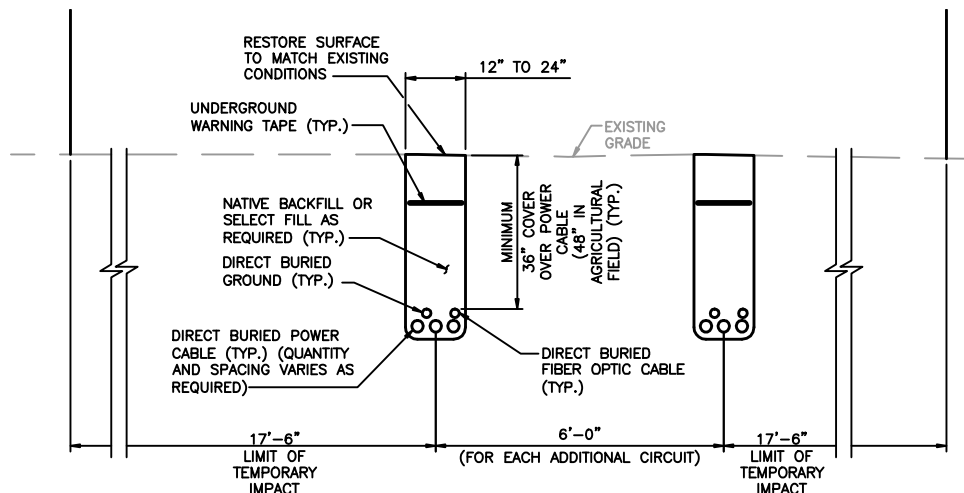
SECTION B



- NOTES:**
1. CULVERTS SHALL BE INSTALLED IN A MANNER THAT WILL ALLOW THE INVERT OF THE PIPE TO SILT IN.
 2. CULVERT SIZE SHALL BE AS SHOWN ON THE PLANS.

OVER SIZED CULVERT AT STREAM CROSSING DETAIL

NOT TO SCALE



- NOTES:**
1. CONTRACTOR SHALL EXCAVATE AND STOCKPILE TOPSOIL OR WETLAND SOIL DURING EXCAVATION ACTIVITIES. THIS STOCKPILED MATERIAL SHALL BE USED AS BACKFILL FOR THE TOP 12" OF THE TRENCH.
 2. IMPACT LIMITS SHOWN APPLY TO TRENCH INSTALLATIONS NOT IN PROXIMITY TO ACCESS ROADS. REFER TO DRAWING DET-4 FOR UNDERGROUND ELECTRIC TRENCH DETAIL ALONG ACCESS ROADS.

GENERAL UNDERGROUND ELECTRIC TRENCH DETAIL

NOT TO SCALE

CLIENT: **BABCOCK AND BROWN RENEWABLE HOLDINGS, INC.**

URS Corporation

77 Goodell Street, Buffalo, N.Y. 14203
(716)856-5636 - (716)856-2545 fax

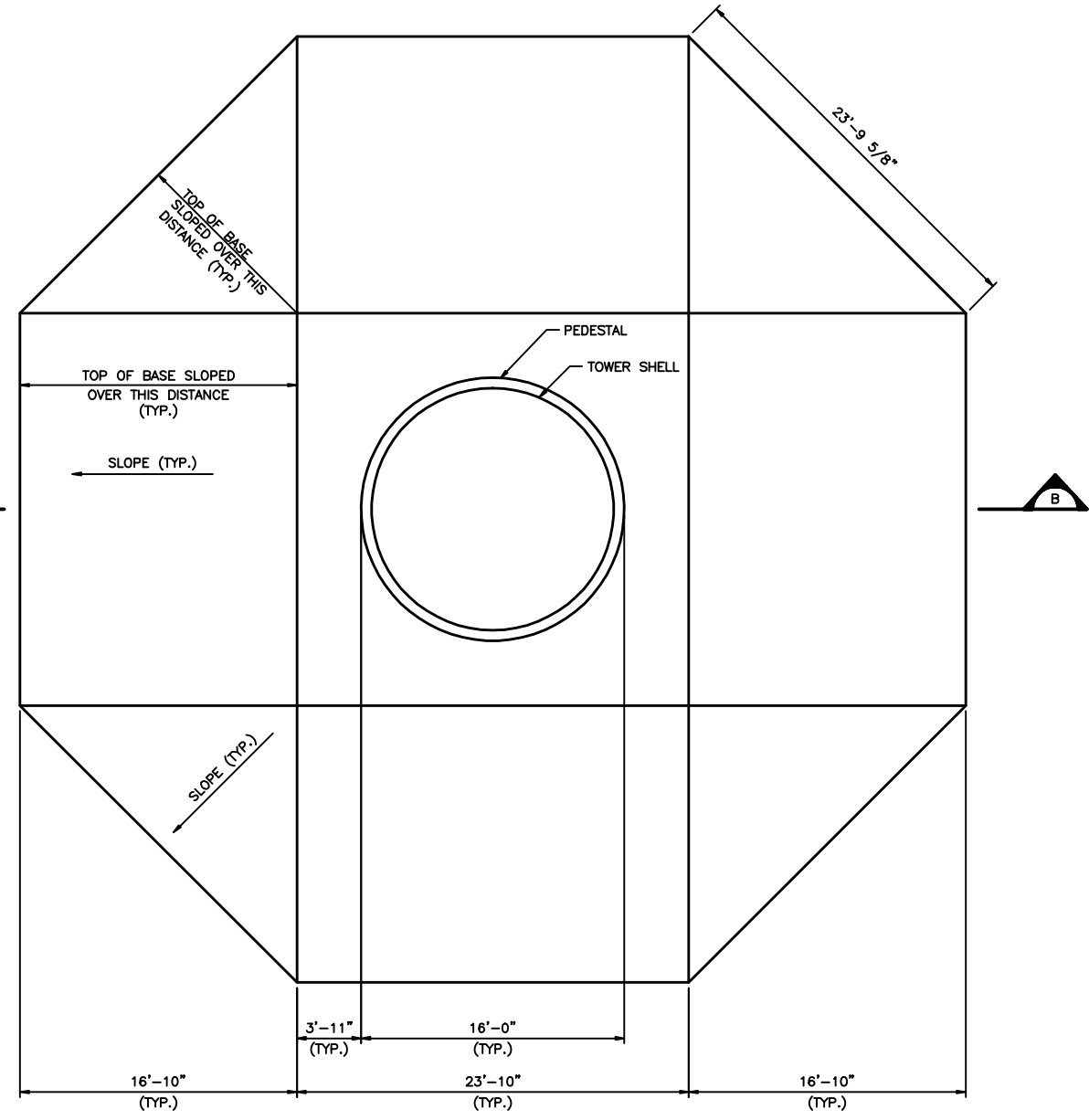
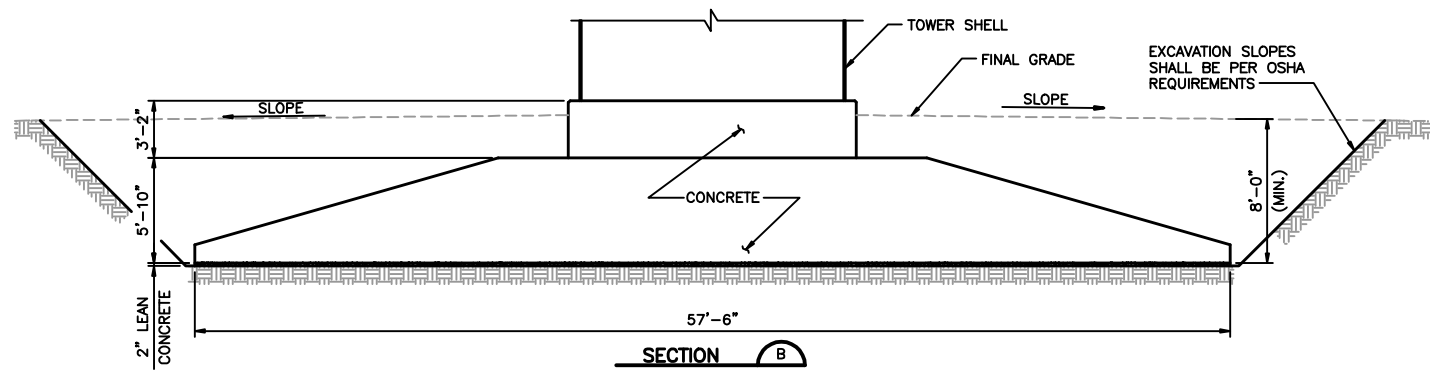
RIPLEY-WESTFIELD WIND FARM

MISCELLANEOUS DETAILS

DATE: **APRIL 2008**

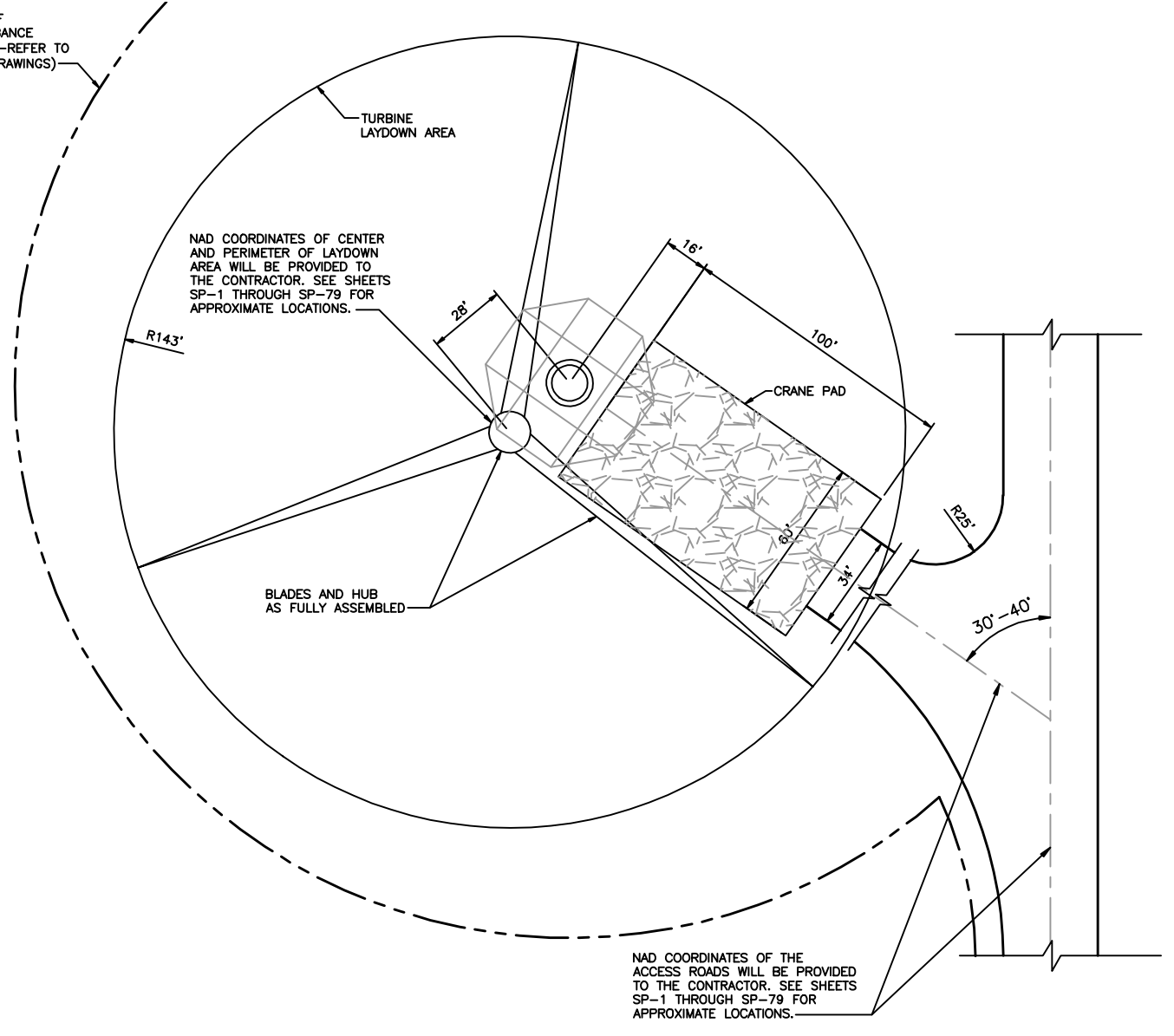
DET-1

J:\11175473.00000\CAD\DRAWING\deliver 4-25-08\DET-2.dwg 1:1 4/25/08



TYPICAL TURBINE FOUNDATION DETAIL
NOT TO SCALE

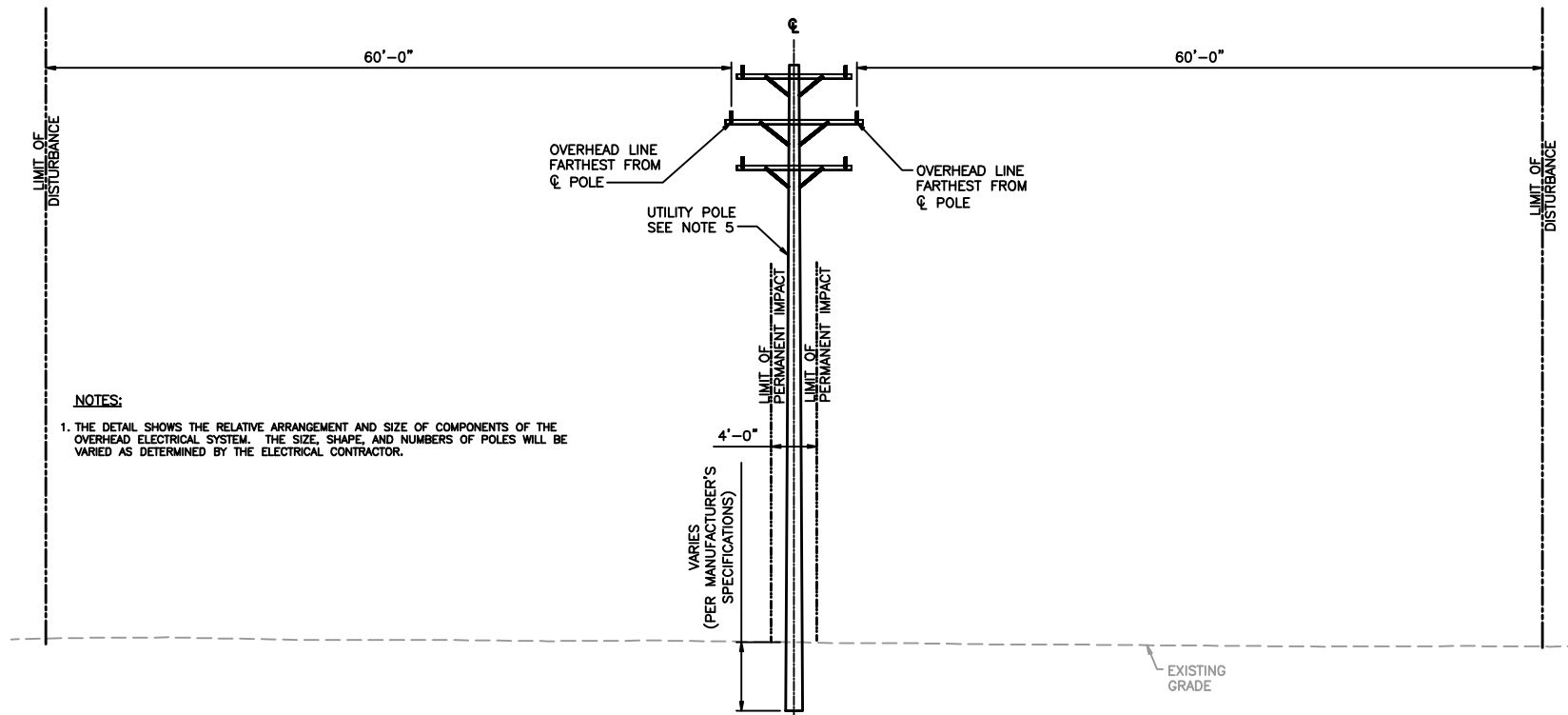
LIMIT OF DISTURBANCE (VARIES—REFER TO PLAN DRAWINGS)



TYPICAL TURBINE LAYOUT DETAIL
NOT TO SCALE

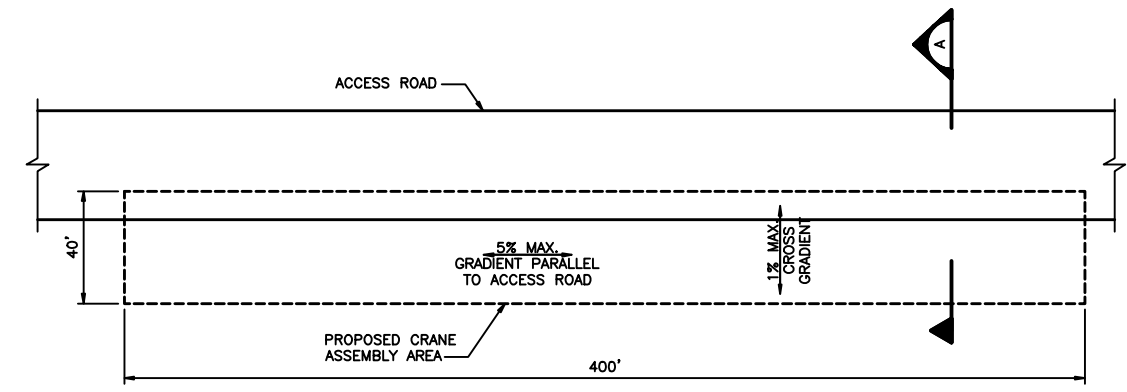
CLIENT:	BABCOCK AND BROWN RENEWABLE HOLDINGS, INC.	
	RIPLEY—WESTFIELD WIND FARM	
	MISCELLANEOUS DETAILS	
	DATE:	APRIL 2008
		DET-2
URS Corporation 77 Goodell Street, Buffalo, N.Y. 14203 (716)856-5636 - (716)856-2545 fax		

J:\11175473.00000\CAD\DRAWING\deliver 4-25-08\DET-3.dwg 1:1 4/25/08



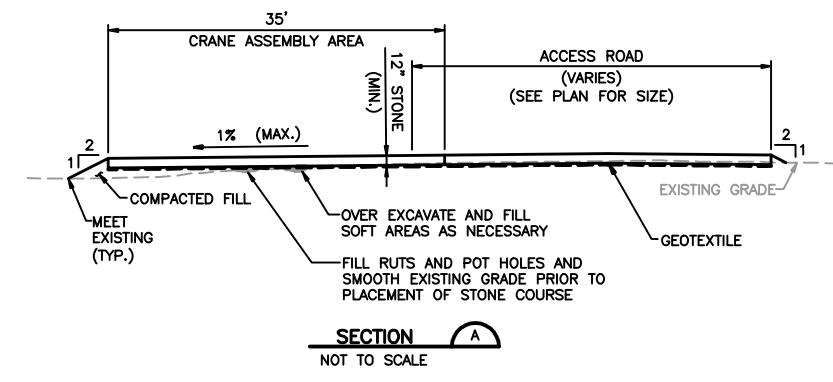
NOTES:
 1. THE DETAIL SHOWS THE RELATIVE ARRANGEMENT AND SIZE OF COMPONENTS OF THE OVERHEAD ELECTRICAL SYSTEM. THE SIZE, SHAPE, AND NUMBERS OF POLES WILL BE VARIED AS DETERMINED BY THE ELECTRICAL CONTRACTOR.

GENERAL UTILITY POLE DETAIL
 NOT TO SCALE

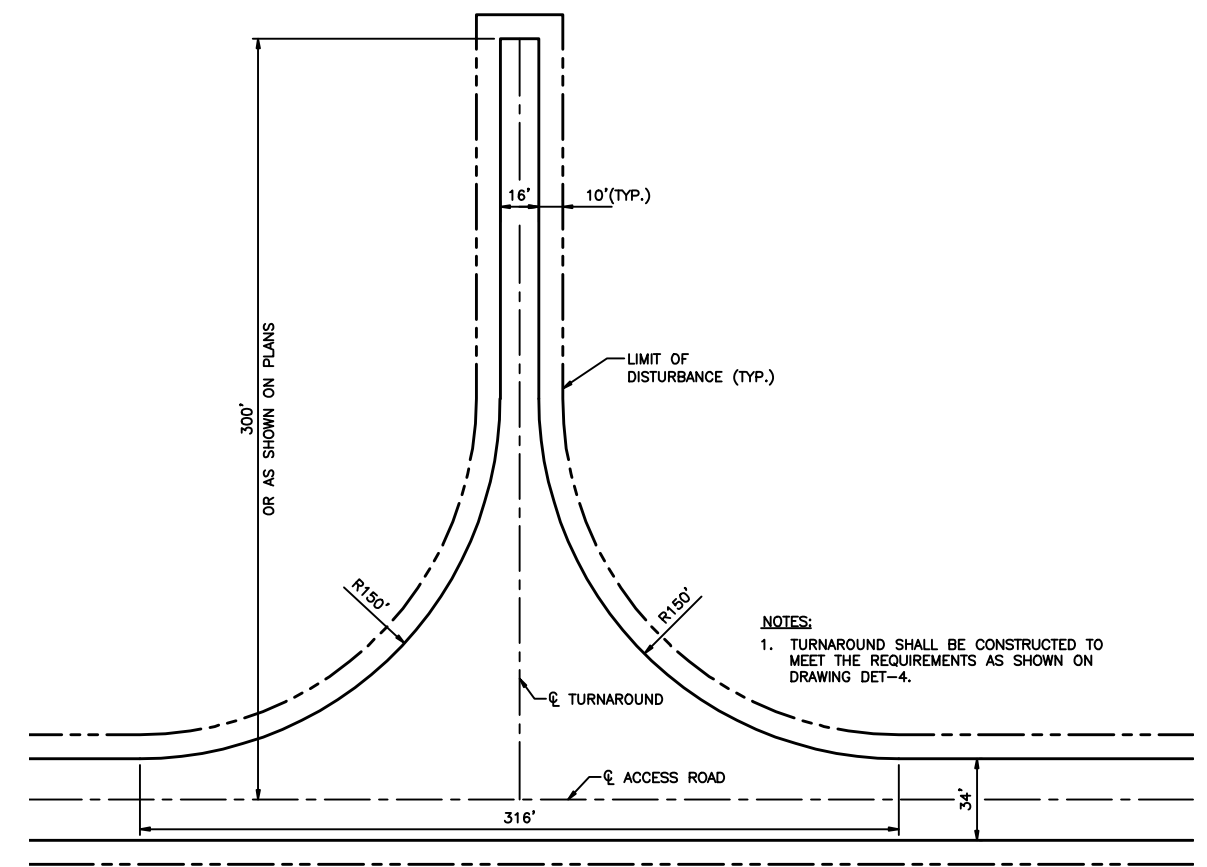


NOTES:
 1. COMPACT CRANE PAD TO PROVIDE A GROUND BEARING CAPACITY OF NOMINAL 3,600 POUNDS PER SQUARE FOOT IN WET OR DRY CONDITIONS.

CRANE ASSEMBLY AREA DETAIL
 NOT TO SCALE



SECTION A
 NOT TO SCALE

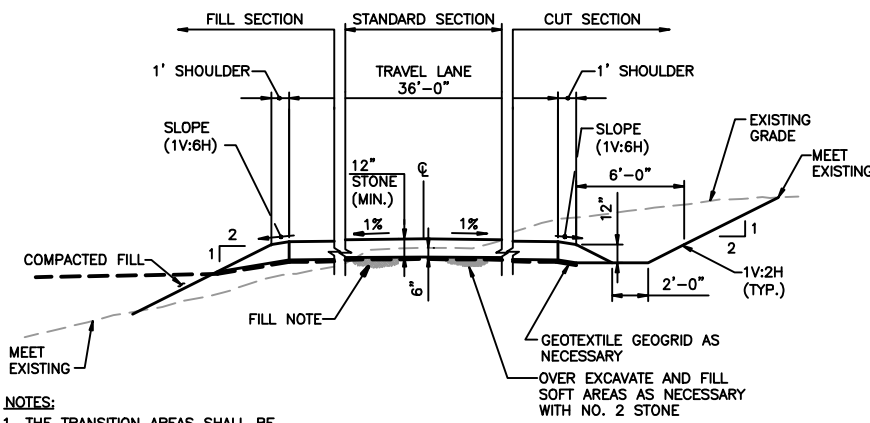


NOTES:
 1. TURNAROUND SHALL BE CONSTRUCTED TO MEET THE REQUIREMENTS AS SHOWN ON DRAWING DET-4.

TYPICAL T-TURNAROUND DETAIL
 NOT TO SCALE

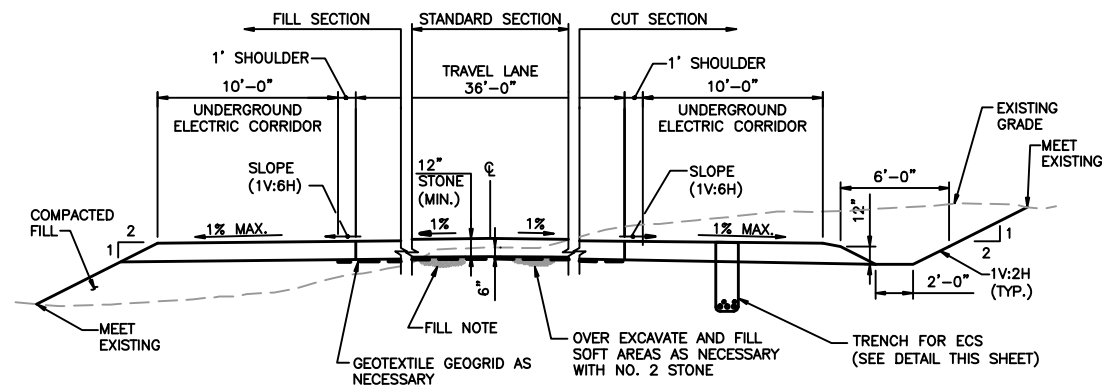
CLIENT: BABCOCK AND BROWN RENEWABLE HOLDINGS, INC. URS Corporation 77 Goodell Street, Buffalo, N.Y. 14203 (716)856-5636 - (716)856-2545 fax	RIPLEY-WESTFIELD WIND FARM	
	MISCELLANEOUS DETAILS	
DATE:	APRIL 2008	DET-3

J:\1175473.00000\CAD\DRAWING\deliver 4-25-08\DET-4.dwg 1:1 4/25/08



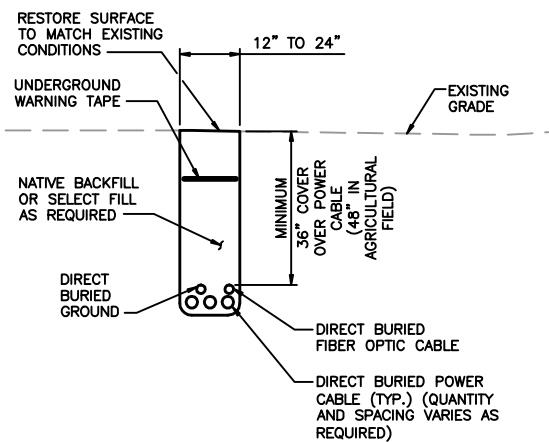
NOTES:
1. THE TRANSITION AREAS SHALL BE BACKFILLED WITH THE SUBGRADE MATERIAL.

TYPICAL ACCESS ROAD DETAIL
FILL NOTE

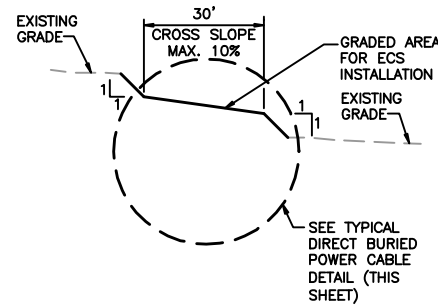
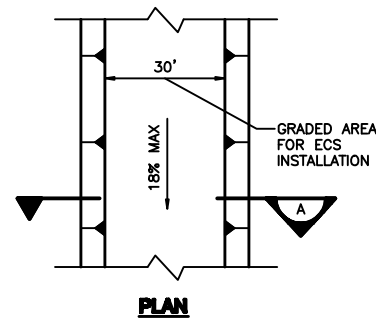


NOTES:
1. THE TRANSITION AREAS SHALL BE BACKFILLED WITH THE SUBGRADE MATERIAL.

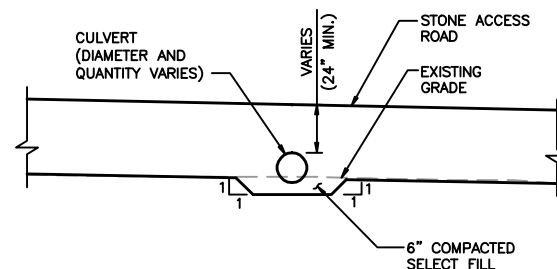
TYPICAL ACCESS ROAD WITH ECS DETAIL
NOT TO SCALE



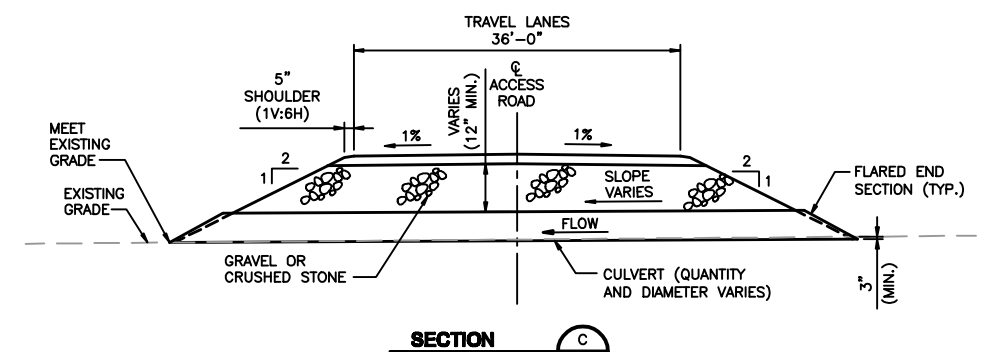
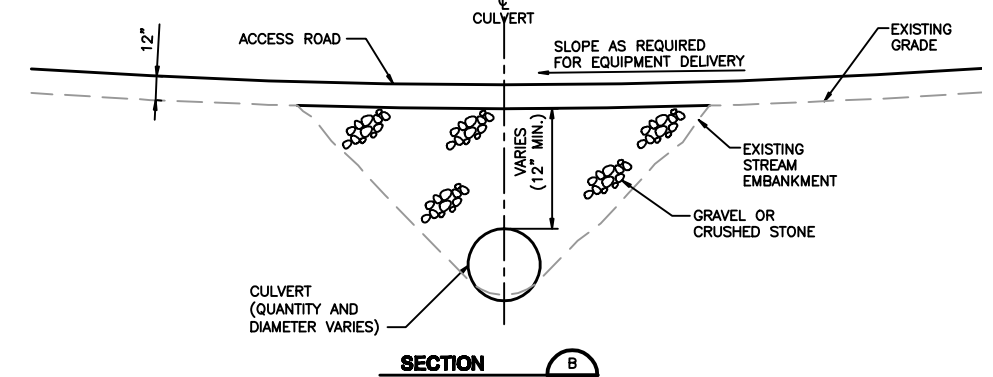
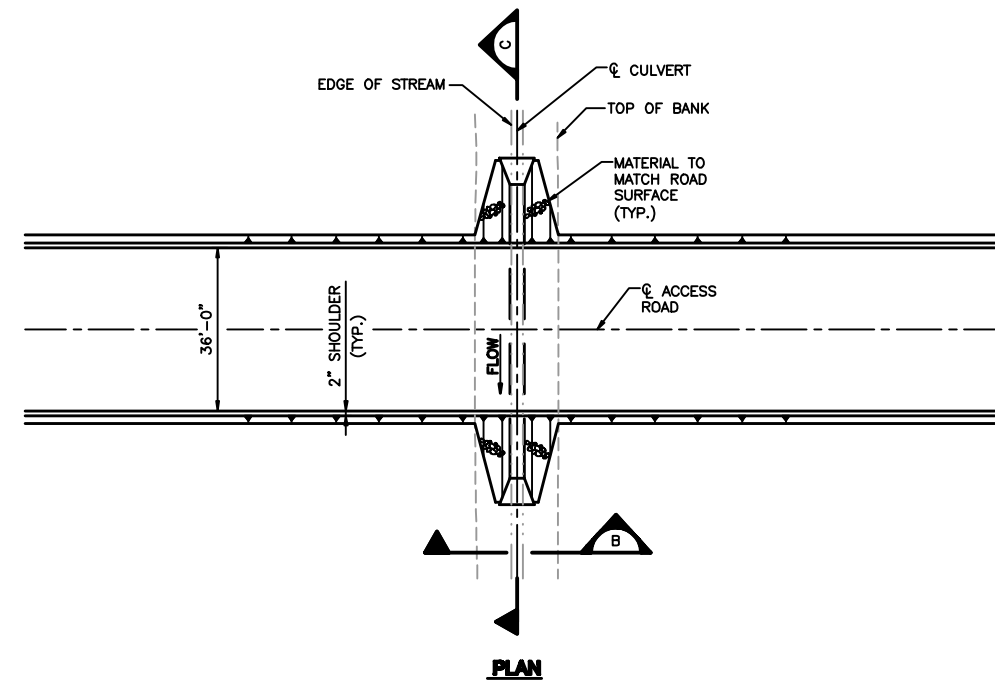
TYPICAL DIRECT BURIAL POWER CABLE DETAIL
NOT TO SCALE



TYPICAL OFF-ROAD ECS TRENCH DETAIL
NOT TO SCALE



TYPICAL NON-WETLAND CULVERT DETAIL
NOT TO SCALE



TYPICAL CULVERT AT STREAM CROSSING DETAIL

CLIENT: **BABCOCK AND BROWN RENEWABLE HOLDINGS, INC.**

URS Corporation

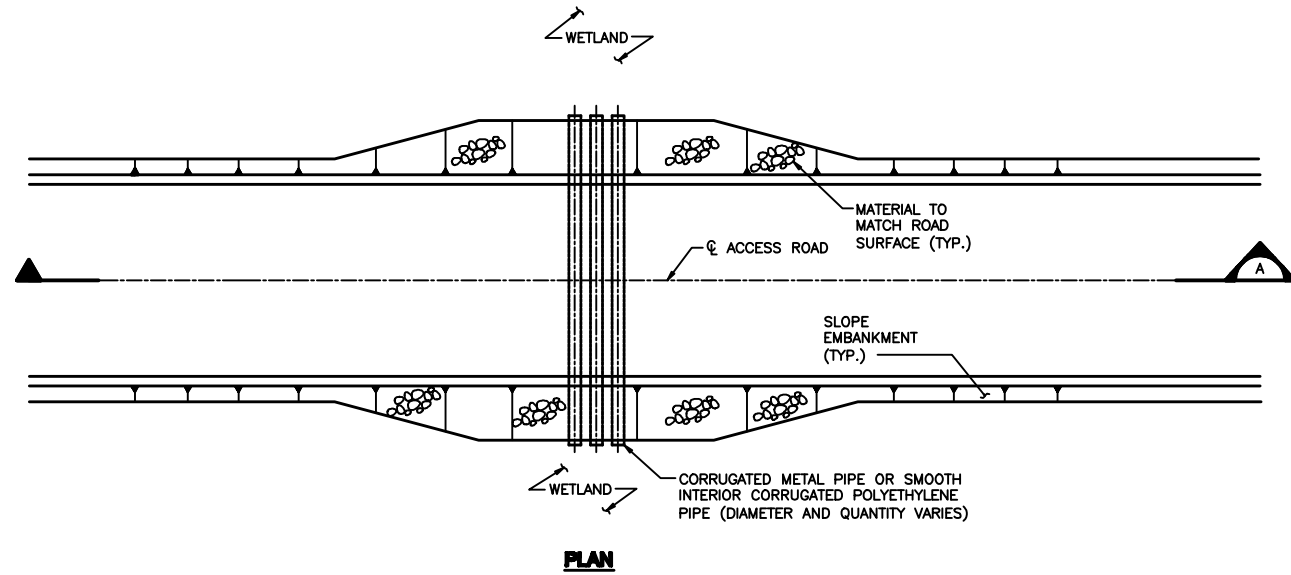
77 Goodell Street, Buffalo, N.Y. 14203
(716)856-5636 - (716)856-2545 fax

RIPLEY-WESTFIELD WIND FARM

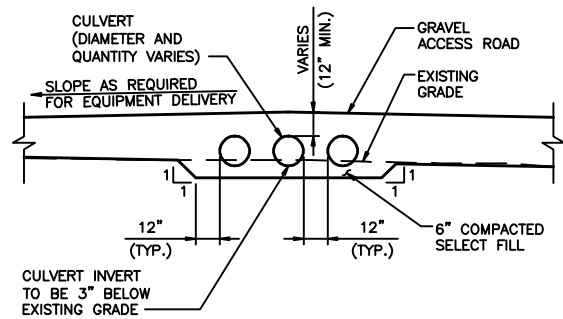
**MISCELLANEOUS
DETAILS**

DATE: **APRIL 2008**

DET-4



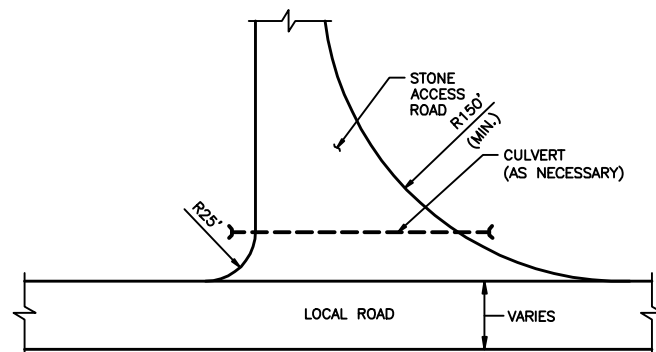
PLAN



SECTION A

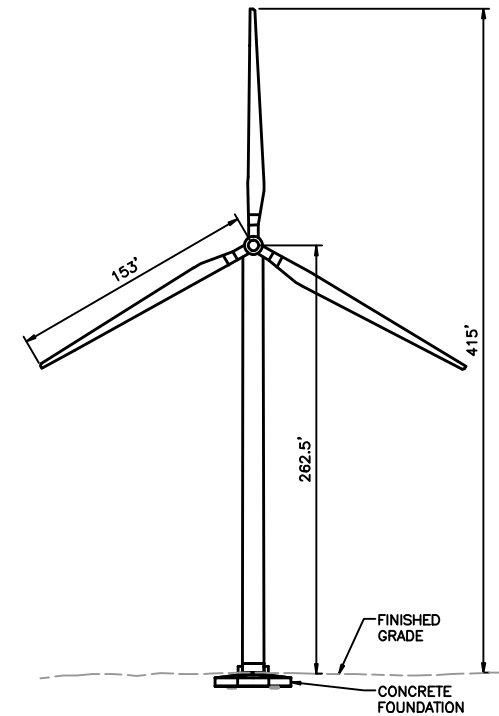
ACCESS ROAD AT WETLAND CULVERT DETAIL

NOT TO SCALE



TYPICAL PLAN VIEW ENTRANCE ROAD DETAIL

NOT TO SCALE



TYPICAL WIND TURBINE GENERATOR

NOT TO SCALE

CLIENT: BABCOCK AND BROWN
RENEWABLE HOLDINGS, INC.

URS Corporation

77 Goodell Street, Buffalo, N.Y. 14203
(716)856-5636 - (716)856-2545 fax

RIPLEY-WESTFIELD WIND FARM

MISCELLANEOUS
DETAILS

DATE: APRIL 2008

DET-5